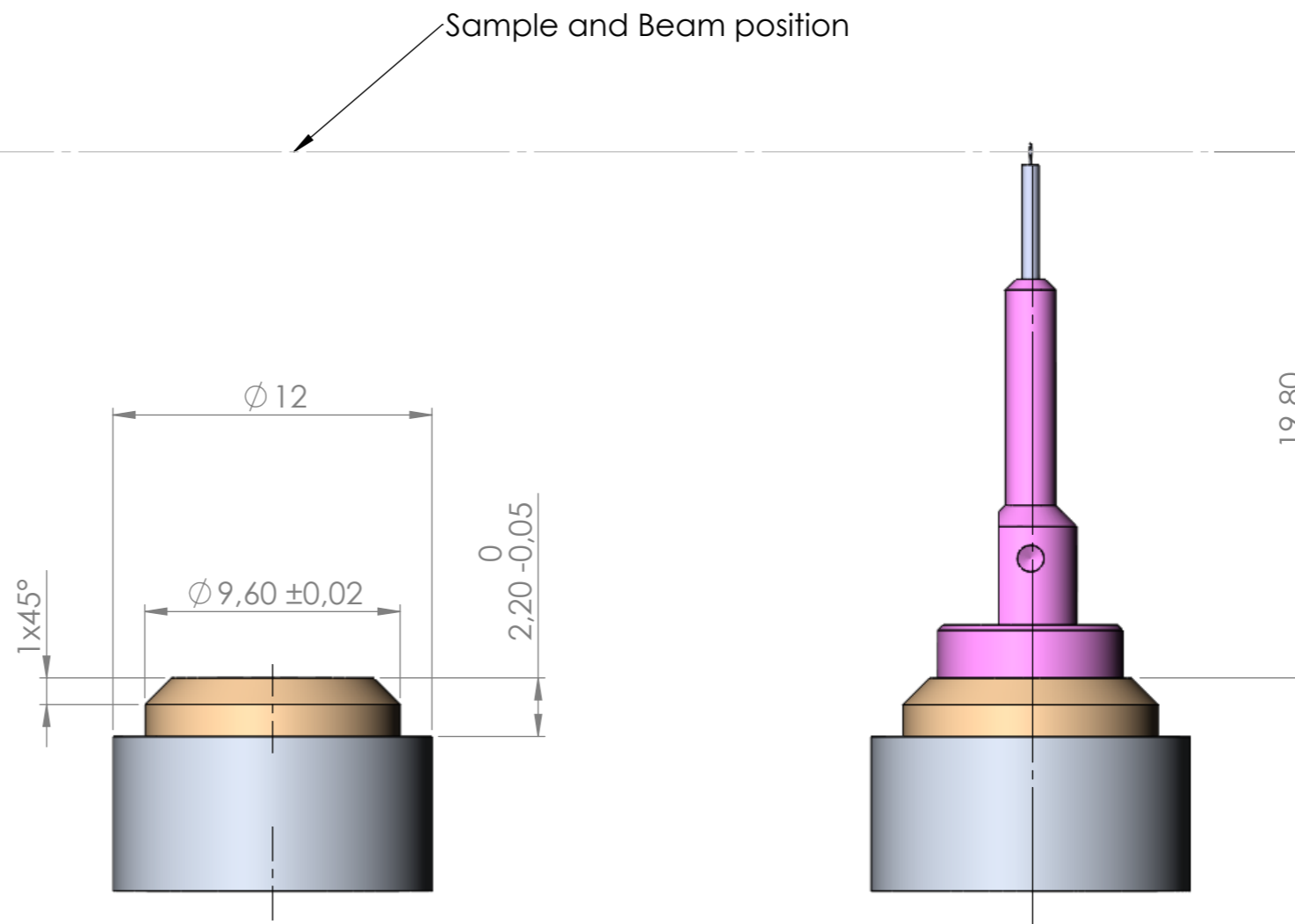
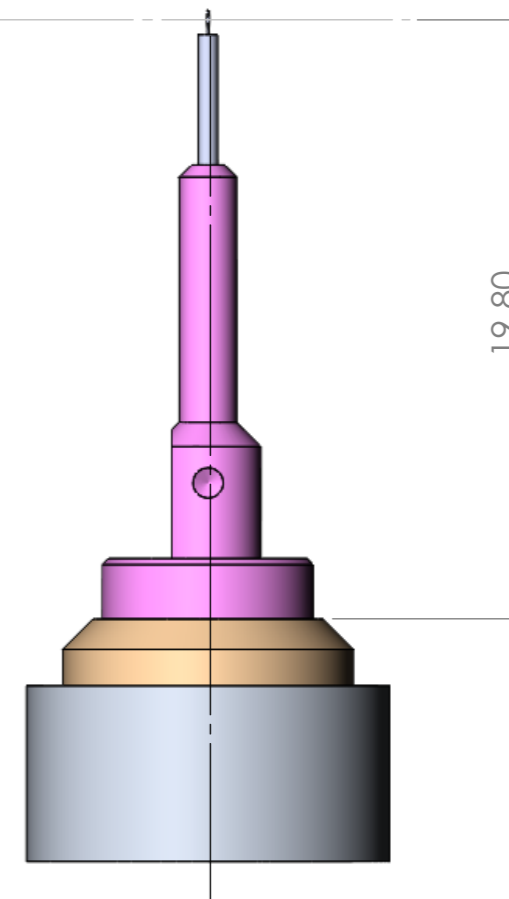


Spine



Recommended dimensions
for goniometer mount



miniSpine

Spine / miniSpine - Goniometer mount

Gen linear tol. : Js10
Gen surface finish N8
Gen angular tol. +/-0.5°

European Molecular Biology Laboratory
71, avenue des Martyrs - CS 90181 - 38042 Grenoble Cedex 9 - France

1153 001

That document is the exclusive property of EMBL.
Any use or reproduction is forbidden without prior authorization



EMBL
Grenoble outstation

DRN : FELISAZ

Date : 21-02-2015

Scale : 4:1

A3